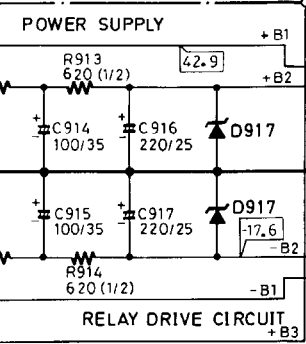
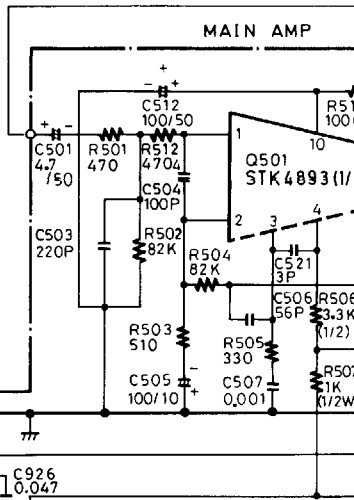
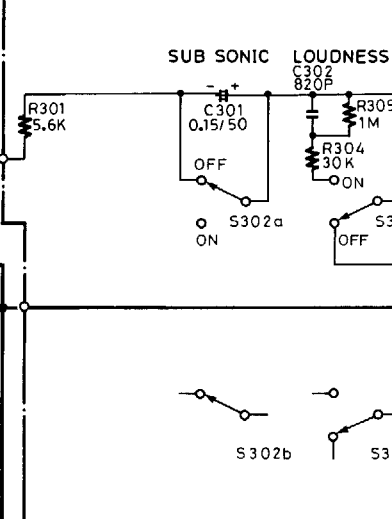
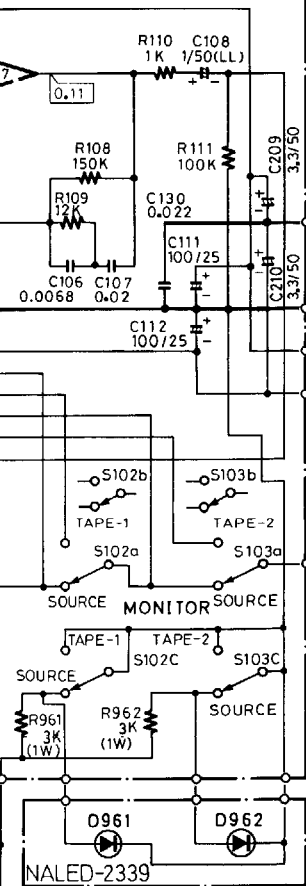


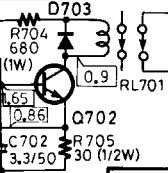
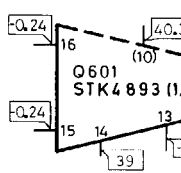
NO	FUNCTION	POSITION	NO	FUNCTION
S901	POWER	OFF ON	S303	LOUDNESS
S102	MONITOR	SOURCE TAPE-1	S501	SPEAKER
S103	MONITOR	SOURCE TAPE-2	S502	SPEAKER
S101	CARTRIDGE	MM MC	S111 S114	SELECTOR
S302	SUBSONIC	OFF ON		

NAEQ-2334B

NAVR-2335A

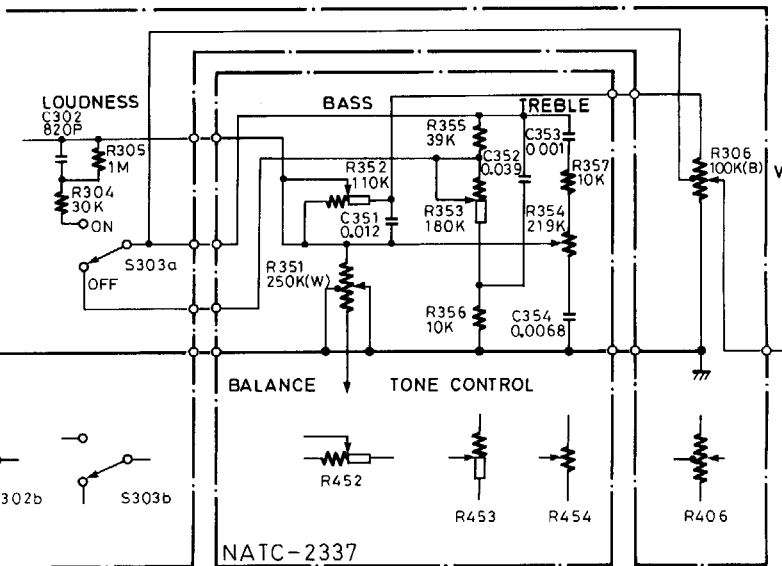


D917, D918
GZA18X or Y
MTZ18C or
RD18EB3

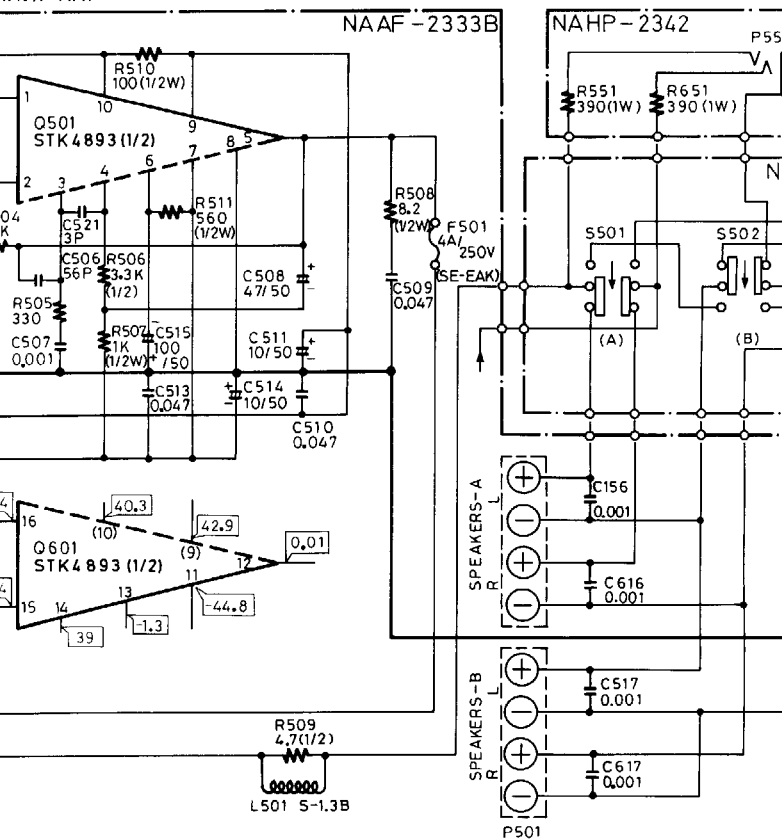


- D701~D703 US104D or 1S2076TD or 1S2473
- Q701 2SC1815 (GR)
- Q702 2SC1815(Y)
- D704 RD20EB3 or GZA20Y

NOTE

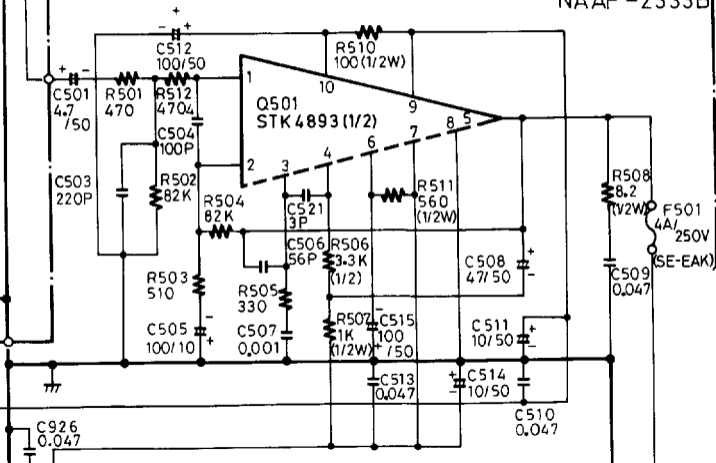


MAIN AMP



MAIN AMP

NAAF-2333B



NAVR-2335A

SUB SONIC

LOUDNESS

BASS

TREBLE

R301
5.6K

C301
0.15/50

C302
820P

R304
30K

R305
1M

S302a
OFF
ON

S303a
OFF

R352
110K

C351
0.012

R351
250K(W)

R355
39K

R353
180K

R356
10K

C352
0.039

C353
0.001

R354
219K

C354
0.0068

R357
10K

R306
100K(B)

VOLUME



S302b



S303b

BALANCE

TONE CONTROL



R452



R453



R454



R406

NATC-2337

